

Signature **Multix**

Guy Bonneville

BLAM
DRIVEN BY PASSION

WS 6

HIGH POWER WOOFER

- Woofer 6-1/2 " (165 mm)
- Max power 250 W / Nom. power 125 W
- Frequency response 80 Hz - 6 KHz
- Impedance 2 Ohms

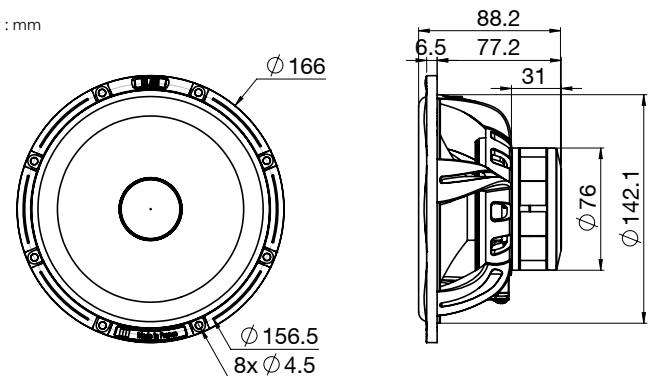
Die cast aluminium basket - Ultra rigid carbon fiber cone - NBR surround - Dual spider - 38 mm Voice Coil, fiber glass former - Oversized Neodymium Multi-Stick Magnetic motor - Machined aluminium phase plug - Gold-plated terminal - Paired products to +/- 1dB.

TECHNICAL SPECIFICATIONS

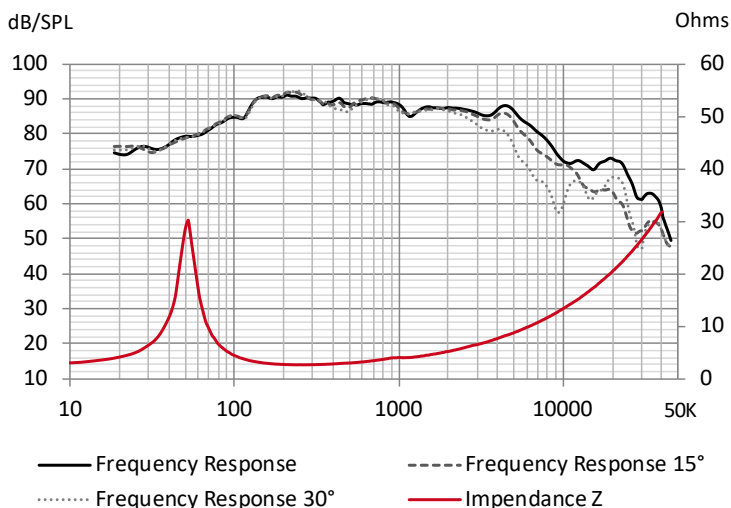
Component	Woofer	
Max power	250 W	
Nominal power	125 W	
Impedance	2 Ω	
Freq. Response	80 Hz - 6 KHz	
Sensitivity (2,83V/1m)	94 dB	
Magnet	Neodymium	
Magnet size Ø x h	10x 15 x 17 mm	10x 0.591" x 0.669"
Total driver displacement	0.3 l	0.011 cf
Weight of one component	1.81 kg	3.990 lb
Voice coil Ø	38 mm	1.496"
Voice coil height	17 mm	0.669"
Cone	Carbon fiber	



Unit : mm



FREQUENCY RESPONSE / IMPEDANCE



THIELE-SMALL PARAMETERS

Effective Ø (d)	128 mm
Sd	128.68 cm ²
Xmax	6 mm
Re	2.1 Ω
Fs	51.84 Hz
Le	100.07 µH @ 1 kHz
Le	263.46 µH @10 kHz
Vas	12.9 L
Mms	16.99 g
Cms	0,000555 m/N
BL	5.63 Tm
Qts	0.37
Qes	0.40
Qms	4.75
Sensitivity (dB/W/m)	88.1 dB

contact@blam-audio.fr
www.facebook.com/blamaudio

blam-audio.com

MS 3

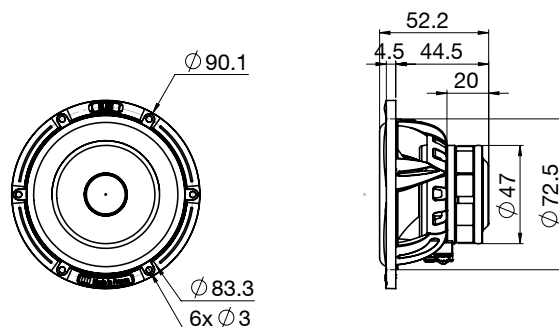
EXTENDED FREQUENCY SPEAKER

- Full-range driver 3" (80mm)
- Max. power: 100 W / Nom. power: 25 W
- Frequency response 120 Hz - 32 KHz
- Impedance 3 Ohms

Die cast aluminium basket - Ultra rigid carbon fiber cone - NBR surround - Long life «conex» spider - 20 mm Voice coil - Fiber glass former - Oversized neodymium Multi-Stick magnetic motor - Aluminium phase plug - Paired products to +/- 1dB.

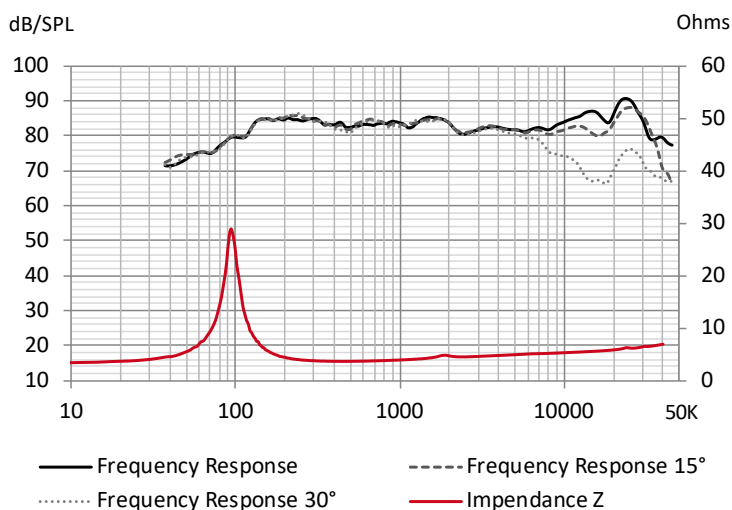


Unit : mm



Component	Midrange	
Max power	100 W	
Nominal power	25 W	
Impedance	3 Ω	
Freq. Response	120 Hz - 32 KHz	
Sensitivity (2,83V/1m)	88 dB	
Magnet	Neodymium	
Magnet size Ø x h	8x 9 x 10 mm	8x 0.354" x 0,394"
Total driver displacement	0.060 l	0.002 cf
Weight of one component	0.328 kg	0.723 lb
Voice coil Ø	20 mm	0.787"
Voice coil height	6 mm	0.236"
Cone	Carbon fiber	

FREQUENCY RESPONSE / IMPEDANCE



THIELE-SMALL PARAMETERS

Effective Ø (d)	61 mm
Sd	29.22 cm ²
Xmax	1 mm
Re	3.44 Ω
Fs	94.82 Hz
Le	16.11 µH @1 kHz
L2	186.90 µH @10 kHz
Vas	1.47 L
Mms	2.3 g
Cms	0.001227 m/N
BL	2.52 Tm
Qts	0.65
Qes	0.74
Qms	5.44
Sensitivity (dB/W/m)	84.1 dB

TSM 25 Mg 45

HIGH RESOLUTION TWEETER

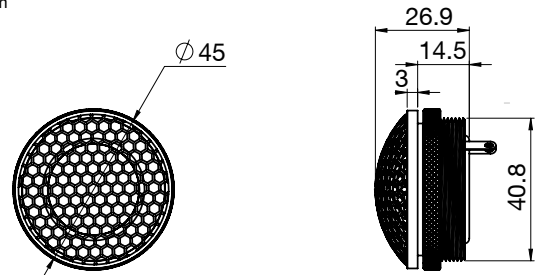
- 25mm (1") Pur Magnesium dome tweeter
- High efficiency neodymium magnet N38
- High precision Machined Aluminium front plate
- Sound transparent protective grill



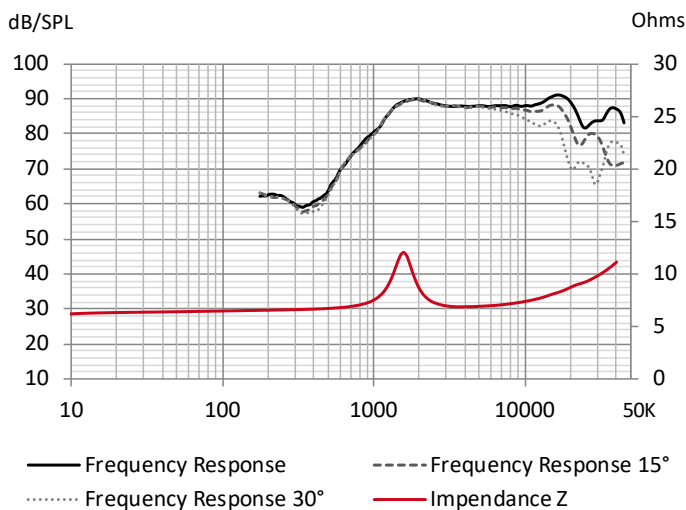
TECHNICAL SPECIFICATIONS

Component	Tweeter	
Max power	100 W	
Nominal power	15 W	
Impedance	6 Ω	
Freq. Response	1.2 KHz - 23 KHz	
Sensitivity (2,83V/1m)	89 dB	
Magnet	Neodymium	
Magnet size Ø x h	24.5 x 3.5 mm	0.965" x 0.138"
Total driver displacement	-	-
Weight of one component	0.068 kg	0.150 lb
Voice coil Ø	25 mm	0.984"
Voice coil height	1.7 mm	0.067"
Dome	Magnesium	

Unit : mm



FREQUENCY RESPONSE / IMPEDANCE



THIELE-SMALL PARAMETERS

Effective Ø (d)	32 mm
Sd	8.04 cm ²
Xmax	-
Re	6.1 Ω
Fs	1205 Hz
Le	-
L2	-
Vas	-
Mms	-
Cms	-
BL	-
Qts	-
Qes	-
Qms	-
Sensitivity (dB/W/m)	87.8 dB