

RELAX

BLAM

FRENCH SOUND

Driven by passion.

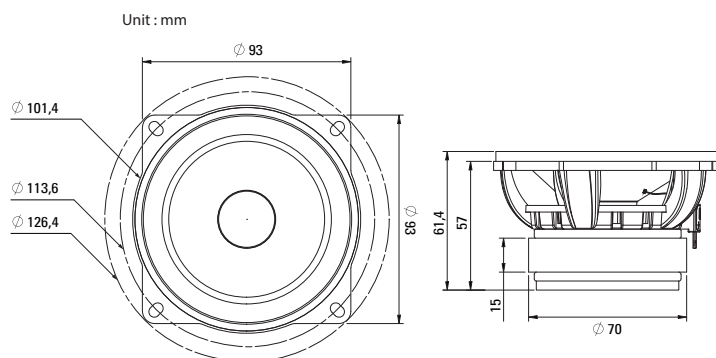
100 RF S

High sensitivity speaker

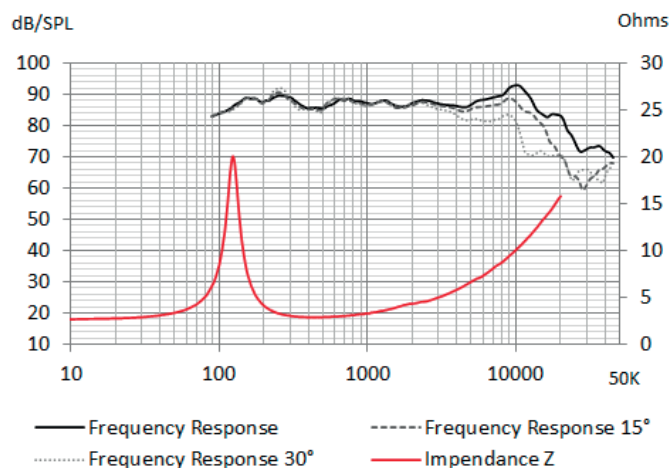
- 100 mm (4") high sensitivity speaker
- Max. power 100 W / Nominal Power 50 W
- Frequency response 80 Hz - 15 kHz
- Impedance 2 Ω

TECHNICAL SPECIFICATIONS

Component	Speaker	
Max power	100 W	
Nominal power	50 W	
Impedance	2 Ω	
Freq. Response	80 Hz - 15 kHz	
Sensitivity (2,83V/1m)	90.3 dB	
Magnet	Ferrite	
Magnet size Ø x h	70 x 15 mm	2.756 'x 0.591 '
Total driver displacement	0.11 l	0.004 cf
Weight of one component	0.578 kg	1.274 lb
Voice coil Ø	25 mm	0.984
Voice coil height	8.4 mm	0.331
Cone	Cellulose pulp	



FREQUENCY RESPONSE / IMPEDANCE



THIELE-SMALL PARAMETERS

effective Ø (d)	84 mm
Sd	55.42 cm ²
Xmax	2 mm
Re	2.6 Ω
Fs	109.87 Hz
Le	97.33 μH @ 1 kHz
L2	157.34 μH @ 10 kHz
Vas	1.76 L
Mms	5.16 g
Cms	0.000407 m/N
BL	3.49 Tm
Qts	0.66
Qes	0.77
Qms	4.72

RELAX

RT 20

Tweeter

- Hi fidelity 20 mm soft dôme tweeter
- Hi efficiency magnet (N38H neodymium)
- Hi quality special soft dôme material
- Ferrofluid for hi power handling

Guy Bonneville

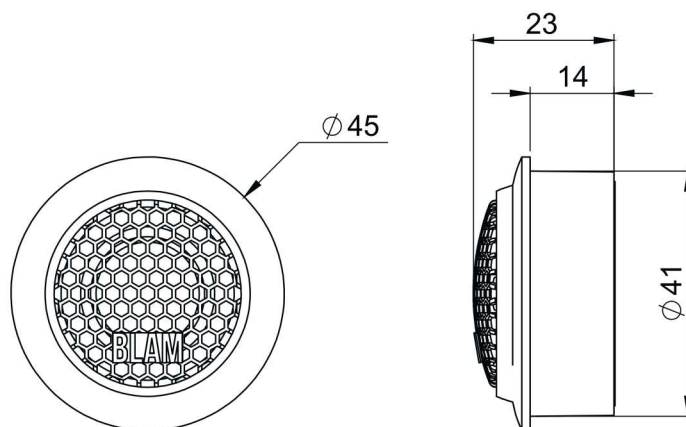
BLAM

DRIVEN BY PASSION

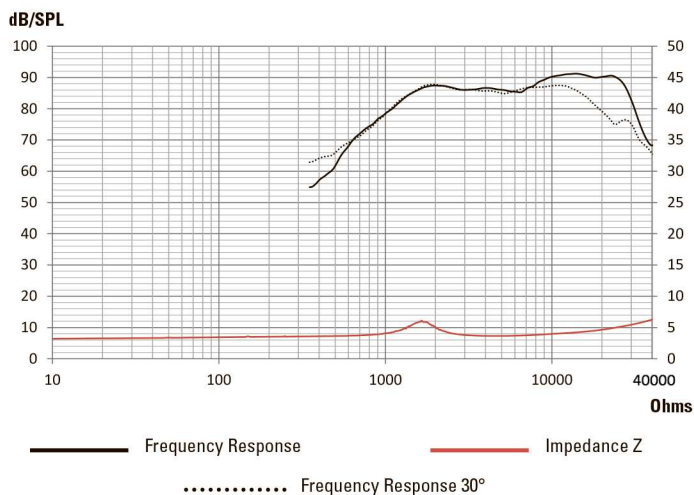


TECHNICAL SPECIFICATIONS

Component	Tweeter	
Max power	100 W	
Nominal power	10 W	
Impedance	3 Ω	
Freq. Response	2,5 KHz - 25 KHz	
Sensitivity (2,83V/1m)	90 dB	
Magnet	Neodymium	
Magnet size Ø x h	18 x 3 mm	0,709" x 0,118"
Total driver displacement	-	-
Weight of one component	0,045 kg	0,099 lb
Voice coil Ø	20 mm	0,787"
Voice coil height	2 mm	0,118"
Cone	Soft	



FREQUENCY RESPONSE / IMPEDANCE



THIELE-SMALL PARAMETERS

effective Ø (d)	22 mm
Sd	3,80 cm ²
Xmax	-
Re	3 Ω
Fs	1651 Hz
Le	-
L2	-
Vas	-
Mms	-
Cms	-
BL	-
Qts	-
Qes	-
Qms	-
Sensitivity (dB/W/m)	86,7 dB

contact@blam-audio.fr
www.facebook.com/blamaudio
www.blam-audio.fr